

Specifications

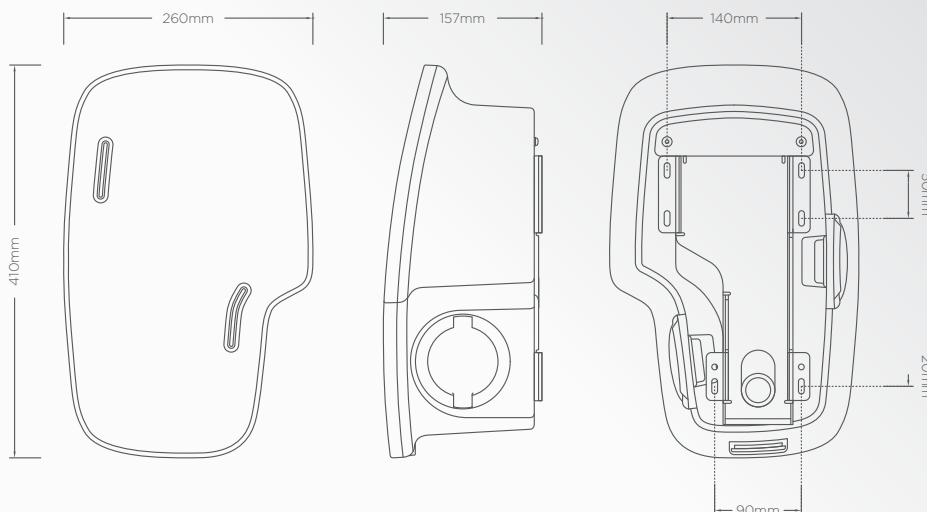
Product Overview:

	Connection Type	Charging Output	Input Supply	Fascia Colour	Product Code
Single Phase Units	1x Type 2 (IEC 62196) charging socket	Up to 7.4kW (32A)	1x Up to 32A Single Phase** 230V AC (±10 %) 50/60Hz	● Black	ROLEC3020B
	2x Type 2 (IEC 62196) charging sockets	Up to 7.4kW (32A) per socket	1x Up to 63A Single Phase** 230V AC (±10 %) 50/60Hz	● Black	ROLEC3030B
	1x Type 2 (IEC 62196) 5m tethered lead*	Up to 7.4kW (32A)	1x Up to 32A Single Phase** 230V AC (±10 %) 50/60Hz	● Black	ROLEC3140B
	2x Type 2 (IEC 62196) 5m tethered leads*	Up to 7.4kW (32A) per tethered lead	1x Up to 63A Single Phase** 230V AC (±10 %) 50/60Hz	● Black	ROLEC3150B
	1x Type 2 (IEC 62196) 10m tethered lead*	Up to 7.4kW (32A)	1x Up to 32A Single Phase** 230V AC (±10 %) 50/60Hz	● Black	ROLEC3145B
	2x Type 2 (IEC 62196) 10m tethered leads*	Up to 7.4kW (32A) per tethered lead	1x Up to 63A Single Phase** 230V AC (±10 %) 50/60Hz	● Black	ROLEC3155B
Three Phase Units	1x Type 2 (IEC 62196) charging socket	Up to 22kW (32A)	1x Up to 32A Three Phase** 400V AC (±10 %) 50/60Hz	● Black	ROLEC3046B
	1x Type 2 (IEC 62196) 5m tethered lead*	Up to 22kW (32A) per tethered lead	1x Up to 32A Three Phase** 400V AC (±10 %) 50/60Hz	● Black	ROLEC3156B

*5m tethered leads (approx. 4.5m external) 10m tethered leads (approx. 9.5m external)

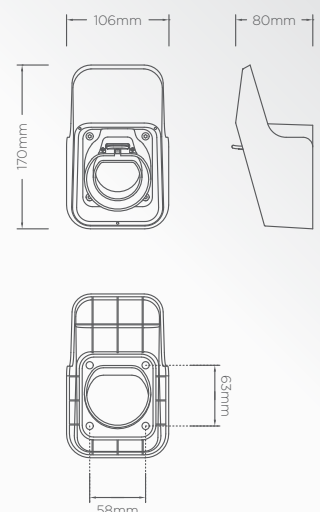
**Chargepoint(s) will downrate if the input supply is lower than the maximum charging output.

Zura unit:








Type 2 charge gun holster:

Included with tethered units



Specifications

Technical Data:

User Interface	<ul style="list-style-type: none"> • Mobile app • RFID reader (MIFARE ISO/IEC 14443 A) • Plug & charge • RGB LED status indicator halo(s) – configurable
Charge Protocol	Mode 3 (IEC 61851-1)
Built-in Protection	<ul style="list-style-type: none"> • Models ROLEC3020 / ROLEC3140 / ROLEC3145: DC fault protection, 6mA • Models ROLEC3030 / ROLEC3046 / ROLEC3150 / ROLEC3155 / ROLEC3156: Residual current protection – AC 30mA Type-A & DC 6mA • Lightning surge, over temperature protection • PME fault detection – No earth electrode/rod required • Supports automatic dynamic load balancing (may require additional hardware) • Supports static load management (software configurable)
Required External Protection	<ul style="list-style-type: none"> • Models ROLEC3020 / ROLEC3140 / ROLEC3145: AC overload & fault current protection – A suitably rated 30mA Type-A RCBO or equivalent protection is required at source (dependent on cable type and/or route) • Models ROLEC3030 / ROLEC3046 / ROLEC3150 / ROLEC3155 / ROLEC3156: Over current protection – A suitably rated MCB or Type-A 30mA device is to be installed at source (dependent on cable type and/or route) • Surge Protection – May be required depending on the installation
Cable Terminals	<ul style="list-style-type: none"> • Single Phase – 3x 50mm 1P + N + E • Three Phase – 5x 50mm 3P + N + E
Communications	<ul style="list-style-type: none"> • 4G LTE Cat-1 (built-in nano SIM, subscription required) <ul style="list-style-type: none"> • LTE FDD: B1/B3/B5/B7/B8/B20/B28 • GSM: B2/B3/B5/B8 • Wi-Fi 802.11 b/g/n 2.4 GHz (2412-2472 MHz / 2422-2462 MHz) • NFC 13.56 MHz • RJ45 Ethernet connection • Bluetooth Low Energy (BLE 4.1) 2402-2480 MHz (for installer configuration purposes) • OCPP 1.6J • Cyber security – Data encryption level TLS 1.2
Energy Metering	Integrated Class 1 MID compliant metering
Standby Power Consumption	< 7.5W (per outlet)
Dimensions	260mm x 410mm x 157mm (W x H x D)
Weight	< 5.5kg to < 13kg (model dependant)
Environmental	<ul style="list-style-type: none"> • Ingress protection – Enclosure IP65, Socket IP54 • Impact protection – IK08 • Security – Dual tamper and breach protection boundaries with notifications • Operating temperature – -30°C to +50°C • Operating humidity – 5% to 95%
Materials	<ul style="list-style-type: none"> • Unit & fascia – High impact resistant Polycarbonate • Mounting back plate – 1.5mm Steel with black powder coated finish • Rear bracket plate – 1.5mm 316 Stainless Steel
Unit Colour	 Black
Fascia Colour	 Black  Grey  White  Branded or fully customised fascias available
Certifications & Compliances	<ul style="list-style-type: none"> • EV Charging Compliance – EN 61851-1:2019, EN 61851-22:2002 • Smart Charge Points – (SI 2021/1467) • Wiring Regulations – BS 7671:2018+A2:2022 • EMC Compliance – EN 61000-6-3:2007+A1:2011, EN 61000-6-2:2005, 2014/30/EU, SI 2016/1091 • Safety Compliance (LVD) – EN 62368-1:2014, 2014/35/EU, SI 2016/1101 • Communications / RED – EN 62311:2008, 2014/53/EU, SI 2017/1206, EN 300 330 V2.1.1 (2017-02), EN 301 908-1 V15.1.1 (2021-09), EN 301 908-13 V13.2.1 (2022-02), EN 301 511 V12.5.1 (2017-03), EN 300 328 V2.2.2 (2019-07), EN 300 440 V2.2.1 (2018-07) • Environmental Protection – BS EN 60529:1992+A2:2013 • Impact Rating – BS EN 62262:2002+A1:2021 • Metering – 2014/32/EU, SI 2016/1153 • RoHS – 2011/65/EU, SI 2012/3032 • REACH – 1907/2006, REACH etc. (Amendment) Regulations 2021 • Certification Markings – CE & UKCA
Warranty	3 years